

FLATWORK IRONERS

RI1000/25
RI1200/25
RI1400/25
RI1600/30
RI2001/30AV





RI1000/25 · RI1200/25 · RI1400/25 · RI1600/30 · RI2001/30AV



New RI roller ironer range

- Attractive design
- Reduced dimensions increasing installation possibilities
- Epoxy powder paint finish

Top safety features

- Standard finger guard protection
- Emergency stop button

Aluminium feeding table

- Longer lifespan
- Increased functionality thanks to the shaped feeding profile
- Increased hygienic level
- More professional design



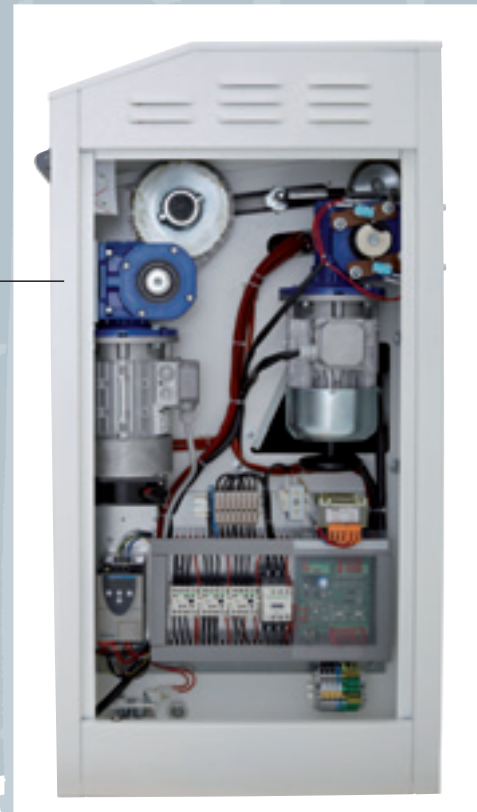


Microprocessor controlled

- Efficient & user-friendly
- Electronic thermoregulation offering better temperature distribution and reduced energy consumption

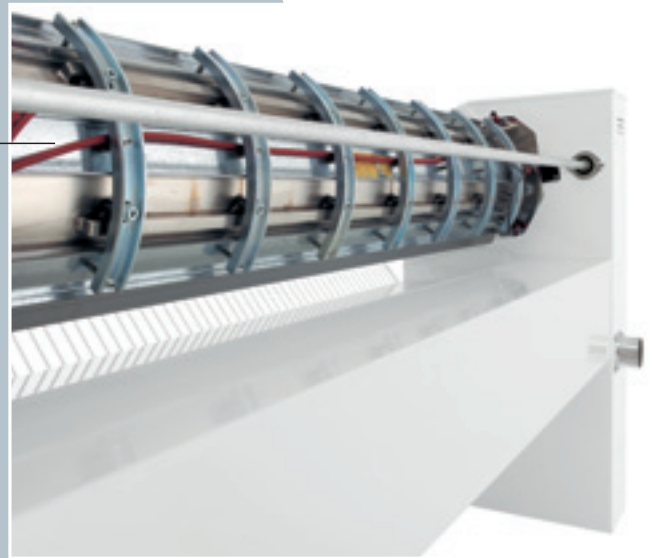
Easy to service

- All vital components are easily accessible
- Reduced number of mechanical and moving parts for a lower maintenance cost



Excellent performance & perfect quality finish

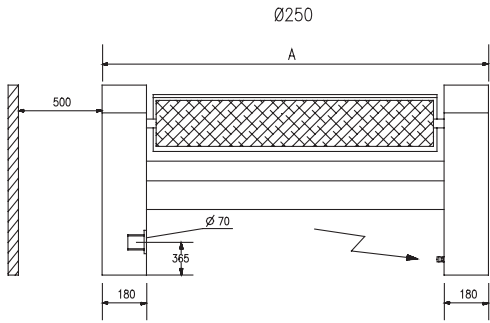
- Homogeneous ironing pressure to ensure top ironing quality
- Electronic thermoregulation
- 2 temperature sensors standard ensuring stable temperature levels
- Long-life heating elements
- Chromed steel basin avoiding temperature buckling and ensuring top ironing quality



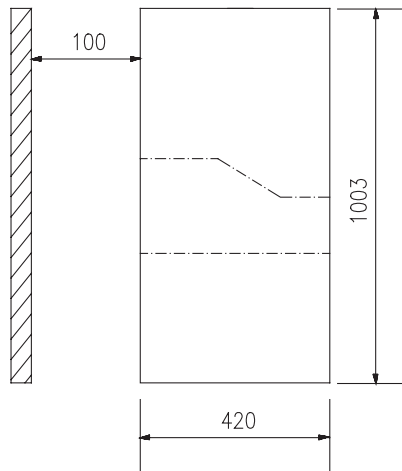
Options

- Frequency inverter enabling variable ironing speed
- Lamellar spring padding, allowing the machine to operate with higher residual humidity at higher temperatures

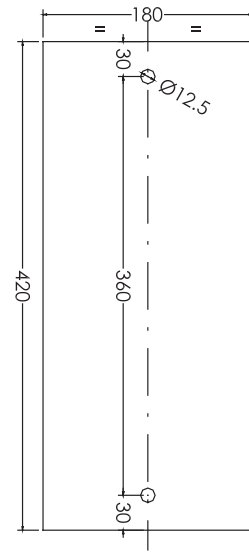
front view RI Ø 250



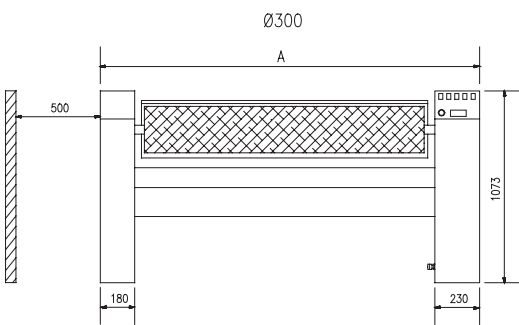
side view RI Ø 250



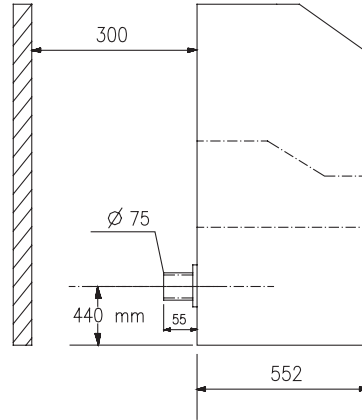
top view RI Ø 250



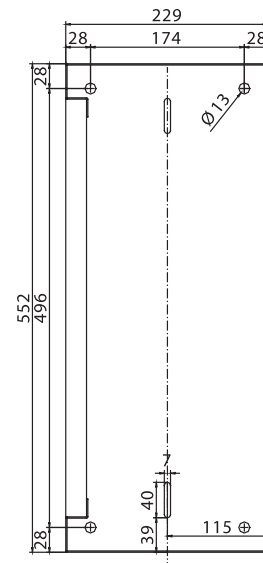
front view RI Ø 300



side view RI Ø 300



top view RI Ø 300



TECHNICAL SPECIFICATIONS RI

		RI1000/25	RI1200/25	RI1400/25	RI1600/30	RI2001/30AV
Roller	Length (mm)	1000	1200	1400	1600	2000
	Diameter (mm)	250	250	250	300	300
	Speed (m/min)	3,8 1-5 (*)	3,8 1-5 (*)	3,8 1-5 (*) (**)(***)	3,8 1-5 (**)(***)	1 - 5 (***)
Capacity (kg/h)	25 (Rest Humidity 15%)	30 (R.H. 15%)	35 (R.H. 25%) 38 (***)	50 (R.H. 25%)	60 (R.H. 25%) 65 (***)	
Dimensions	Height (mm)	1003	1003	1003	1073	1073
	Width (mm)	1440	1640	1840	2090	2490
	Depth (mm)	420	420	420	552	552
Volume (m ³)	1,05	1,18	1,31	1,87	2,33	
Weight	Nett (kg)	94	100	106	221	243
	Gross (kg)	119	124	128	245	271
Fuses	230V / 3 / 50Hz	20	25	25	40	50
	400V / 3 / 50Hz	16	16	16	25	32
	440V / 3 / 60Hz	16	16	16	25	32
Heating (kW)	6	6,9	7,5	11,4	15	
Total power (kW)	6,18	7,08	7,68	12,5	16,1	
Exhaust fan (m ³ /h)	-	-	200 (**)(***) (diameter 70x55mm)	300 (**)(***) (diameter 75x55mm)	300 (**)(***) (diameter 75x55mm)	
Packing dimensions	Height (mm)	1160	1160	1160	1250	1250
	Width (mm)	1560	1760	1960	2200	2600
	Depth (mm)	530	530	530	660	660
	Volume (m ³)	0,96	1,08	1,21	1,82	2,15

All specifications subject to change without notice

(*) Option F: variable ironing speed - frequency inverter

(**) Option AV: variable ironing speed and exhaust

(***) Option AVL: variable ironing speed and exhaust & lamellar padding



Alliance International bvba, Nieuwstraat 146, B-8560 Wevelgem (Belgium)
Tel +32 56/41 20 54 - Fax +32 56/41 86 74 - info@ipso.be - WWW.IPSO.BE

